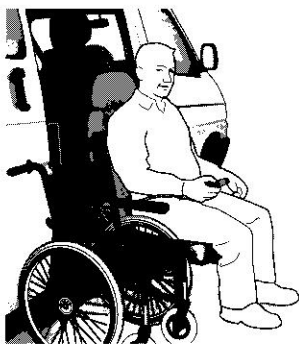
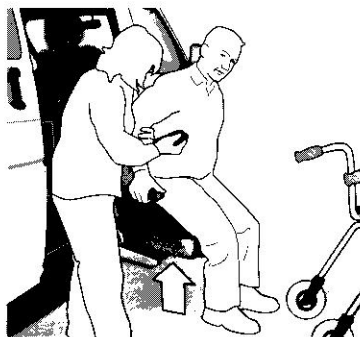


Getting out of the vehicle

For operating the Turny HD, please refer to previous paragraph "Entering the vehicle".



When making a transfer to a wheelchair it is of advantage to have the vehicle seat in a level slightly above the seat of the wheelchair.



Turny can also be used as standing-up aid if an assistant drives the seat carefully upwards.

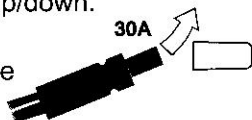
4. TROUBLE SHOOTING With Turny HD facing towards the outside

Symptom	Cause	Measure
<i>The lift does not react when trying to operate it.</i>	a) <i>Circuit is broken</i> b) <i>The fuse has blown</i> c) <i>The battery is run-down</i>	<i>Make sure that the hand control cable is properly connected to Turny Orbit.</i> <i>Replace fuse (30 A).</i> <i>Charge the battery.</i>
<i>The lift has difficulties driving upwards when loaded.</i>	a) <i>The battery is run-down.</i>	<i>Try to start the vehicle and run the engine at high speed while driving up the Turny.</i> <i>If the measures mentioned above are not enough, please contact the workshop that has installed Turny or Autoadapt AB.</i>

5. EMERGENCY

If the lift has stopped in the middle of a movement and none of the trouble shooting measures are sufficient, the seat can be manually cranked up/down.

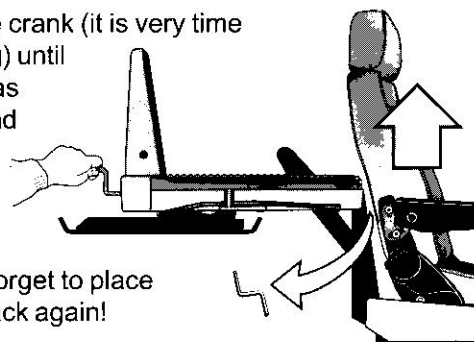
1. Remove the fuse from the fuse holder on the cable near the vehicle battery.



2. Take the crank, placed on the plate behind the backrest. Place it in the hexagon hole in the back of the Turny, according to illustration.

3. Turn the crank (it is very time consuming) until the seat has reached end position.

4. Do not forget to place the fuse back again!



6. SERVICE AND MAINTENANCE

Turny HD is designed to function maintenance-free.

NOTE! Make sure no foreign objects gets inside the lift!

Use vacuum cleaner to remove dust and gravel from the lift.

Check irregularities such as loosening screws or noise during use..

7. OVERLOAD PROTECTION

By overload, the motion of Turny is automatically interrupted.

When the Turny is moving horizontally the interruption will follow by a small returning movement. When the Turny is moving vertically, when overloaded, the motion will just stop.

When overloaded, the left hand side red diode will shine and the operation of Turny is not possible.

8. TECHNICAL DATA

Vertical movement:	Turny HD 395: 395 mm Turny HD 300: 300 mm
Total height:	165 mm
Maximum weight of person seated:	150 kg
Voltage: Fuse:	12 Volt DC 30 A
Current consumption by maximum load:	18 A
Current consumption at idle:	approx: 15 mA
Time for lifting 150 kg inside the vehicle:	approx: 25 sec.(300), approx. 28 sec. (395)
Time for lifting an empty seat inside the vehicle.	approx: 21 sec.(300), approx. 24 sec. (395)

Seatbelts:	The original seatbelt of the vehicle shall be used.
Coating:	Black chromated / Plastic powder coated
Accessories:	Wireless hand control Armrests The low built BEV-seat Carony wheelchair system

9. WARRANTIES AND SERVICE

Please refer to the document "Policy for returned goods", for information concerning warranties and service matters.

10. TRACEABILITY

Turny HD has a CE-poster where the serial number is stated.

Please write this number below!

The number is needed when ordering spare parts.

Serial nr: 5273 - 0015



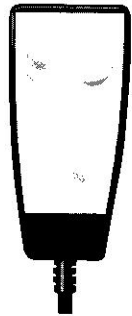
3. OPERATING THE TURNY HD

Control pendant

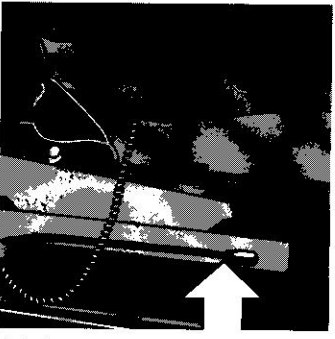
Turny HD is delivered with a hand control pendant. A remote (wireless) hand control is available as option.

Press the **left** hand side button for driving the Turny HD outside and down. Press the **right** hand side button for driving it up and inside. To interrupt the movement just release the button. The **green** light is shining when the Turny HD is in its final position.

When not in use the control pendant shall be placed in its holder, to avoid that the Turny HD is activated by mistake.



Entering the vehicle



1. Lift the release lever for rotation.
Let go of the lever as soon as the seat can be rotated.



2. Hold on to the seat and rotate it (do not pull it by the release lever).
Rotate the seat until maximal outer position.



3. Use the control pendant and drive down the seat to a suitable level.



4. When the user is seated press the hand control button for driving up and in. If the movement needs to be interrupted, just release the control button. Mind the head when entering through the door way!
Keep the control button pressed down until **final position** is reached and the **green diode** is shining.



5. Lift the release lever for rotation and rotate the seat inside the vehicle until the Turny locks it in final position.

